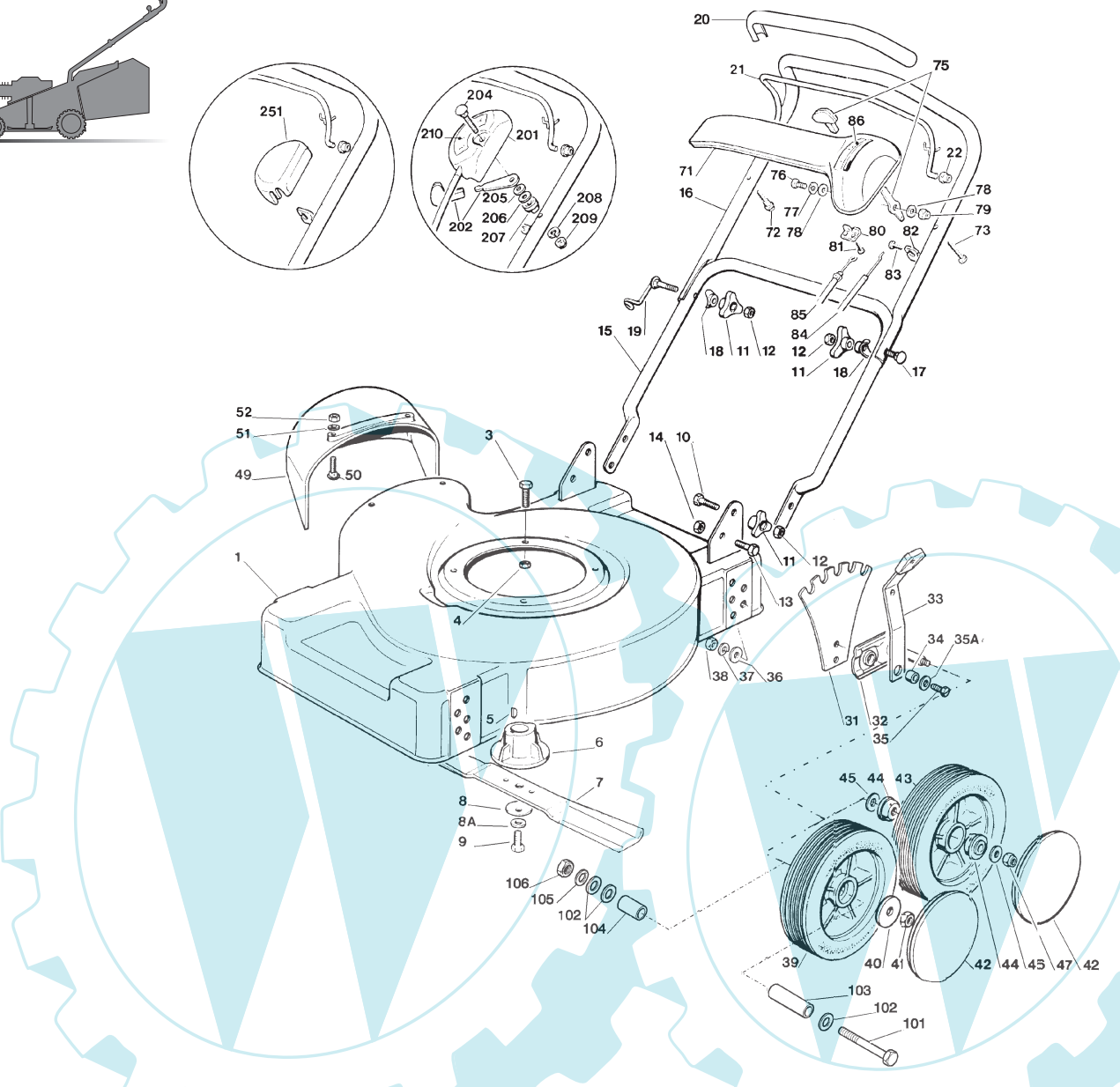
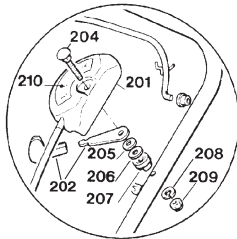
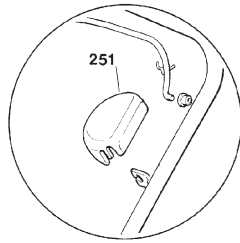
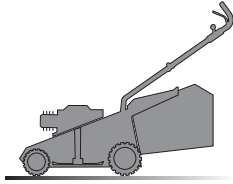


00D.005



- H 350
- K 350
- K 390
- C 350
- C 390
- NG 410 / 410 S
- NG 460
- NG 414
- NG 464
- NG 464 TR
- NG 464 TR-E
- NG 504
- NG 504 TR
- NG 504 TR-E
- R 430 / 430 S
- R 480
- R 430 TR
- R 434
- R 484
- R 534
- R 484 TR / TR-E
- R 534 TR / TR-E
- RL 430 / 430 S
- RL 480
- RL 430 TR
- RL 434
- RL 484
- RL 534
- RL 484 TR
- RL 484 TR-E
- RL 534 TR
- RL 534 TR-E
- TD 430 / 430 S
- TD 480
- TD 430 TR
- TD 434
- TD 484
- TD 534
- TD 484 TR
- TD 484 TR-E
- TD 534 TR
- TD 534 TR-E
- TDL 430 / 430 S
- TDL 480
- TDL 430 TR
- TDL 434
- TDL 484
- TDL 534
- TDL 484 TR
- TDL 484 TR-E
- TDL 534 TR
- TDL 534 TR-E
- CA 430
- CA 480
- CA 434
- CA 484
- CA 534
- CA 430 TR
- CA 434 TR
- CA 484 TR / TR-E
- CA 534 TR / TR-E
- CAL 430
- CAL 480
- CAL 434
- CAL 484
- CAL 534
- CAL 430 TR
- CAL 434 TR
- CAL 484 TR / TR-E
- CAL 534 TR / TR-E
- T 430 / 430 S
- T 480
- T 434
- T 484
- T 484 TR
- T 484 TR-E
- PAN 504
- PAN 504 TR
- PAN 504 TR-E
- PAN 504 TR-E 3S
- PAN 504 TR 3S
- NP 534
- NP 534 TR
- NP 534 TR-E
- NP 534 TR 3S
- NP 534 TR-E 3S
- S 474 L

00T.005

Pos	Code	Q.ty	Descrizione	Description	Description	Beschreibung	
1	81001551/ 1	1	CHASSIS ROSSO	DECK RED	CHÂSSIS ROUGE	GEHÄUSE ROTES	
-	81001552/ 1	1	CHASSIS GIALLO	DECK YELLOW	CHÂSSIS JAUNE	GEHÄUSE GELBES	
3	12793700/ 0	3	VITE (M8X30)	SCREW (M8X30)	VIS (M8X30)	SCHRAUBE (M8X30)	
4	12293201/ 0	3	DADO	NUT	ECROU	MUTTER	
5	12139100/ 0	1	LINGUETTA	FEATHER	CLAVETTE	KEIL	
6	22463015/ 0	1	MOZZO	HUB	MOYEU	HALTER	
7	81004346/ 2	1	COLTELLO STANDARD	BLADE STANDARD	LAME STANDARD	MESSER STANDARD	46 cm
8	22160400/ 0	1	DISCO ELASTICO	ELASTIC WASHER	RONDELLE ELASTIQUE	ELASTISCHE SCHEIBE	
8A	12523080/ 0	1	RONDELLA	WASHER	RONDELLE	SCHEIBE	
9	12735694/ 0	1	VITE	SCREW	VIS	SCHRAUBE	
10	12793700/ 0	2	VITE (M8X30)	SCREW (M8X30)	VIS (M8X30)	SCHRAUBE (M8X30)	
11	22399900/ 0	2	MANOPOLINA	KNOB	POIGNÉE	GRIFF	
12	12293200/ 0	2	DADO	NUT	ECROU	MUTTER	
13	12792610/ 0	2	VITE	SCREW	VIS	SCHRAUBE	
14	12155000/ 0	2	DADO	NUT	ECROU	MUTTER	
15	81006978/ 0	1	MANICO, PARTE INFERIORE	HANDLE, LOWER PART	MANCHERON, PARTIE INFÉRIEURE	HOLM, UNTERTEIL	
16	81007018/ 1	1	MANICO, PARTE INFERIORE	HANDLE, LOWER PART	MANCHERON, PARTIE INFÉRIEURE	HOLM, UNTERTEIL	
17	12819201/ 0	1	VITE	SCREW	VIS	SCHRAUBE	
18	22680006/ 1	2	RONDELLA	WASHER	RONDELLE	SCHEIBE	
19	81003801/ 0	2	MOLLA GUIDA	SPRING	RESSORT	FEDER	
20	22291050/ 0	1	IMPUGNATURA MANICO NERA	HANDGRIP BLACK	POIGNÉE NOIRE	HANDGRIFF SCHWARZER	
-	22291051/ 0	1	IMPUGNATURA MANICO ROSSA	HANDGRIP RED	POIGNÉE ROUGE	HANDGRIFF RÖTER	
-	22291052/ 0	1	IMPUGNATURA MANICO GIALLA	HANDGRIP YELLOW	POIGNÉE JAUNE	HANDGRIFF GELBER	
21	81003291/ 2	1	LEVA FRENO MOTORE	LEVER, MOTOR BRAKE	LEVIER FREIN MOTEUR	HEBEL, MOTORBREMSE	
22	22041966/ 0	2	BUSSOLA	BUSH	DOUILLE	BUCHSE	
31	22735537/ 0	4	SETTORE REGOLAZIONE	SECTOR, HEIGHT ADJUSTMENT	SECTEUR REGLAGE	SEKTOR,	

			ALTEZZA	HAUTEUR	HÖHEVERSTELLUNG		
32	81005082/ 0	4	SUPPORTO RUOTA	SUPPORT, WHEEL	SUPPORT ROUE	HALTER, RAD	H 350
33	81003273/ 0	4	LEVA REGOLAZIONE ALTEZZA	LEVER, HEIGHT ADJUSTMENT	LEVIER, REGLAGE HAUTEUR	HEBEL, HÖHEVERSTELLUNG	K 350
34	22171001/ 0	4	DISTANZIALE	SPACER	ENTRETOISE	DISTANZRING	K 390
35	12793701/ 0	4	VITE	SCREW	VIS	SCHRAUBE	C 350
35A	12521350/ 0	4	RONDELLA	WASHER	RONDELLE	SCHEIBE	C 390
36	12523070/ 0	4	RONDELLA	WASHER	RONDELLE	SCHEIBE	NG 410 / 410 S
37	12583500/ 0	4	GROWER	GROWER	GROWER	FEDERRING	NG 460
38	12293200/ 0	4	DADO	NUT	ECROU	MUTTER	NG 414
39	81007325/ 0	4	RUOTA Ø 170	WHEEL Ø 170	ROUE Ø 170	RAD Ø 170	NG 464
40	12523060/ 0	4	RONDELLA	WASHER	RONDELLE	SCHEIBE	NG 464 TR
41	12293201/ 0	4	DADO	NUT	ECROU	MUTTER	NG 464 TR-E
42	22110262/ 0	4	COPRIMOZZO BIANCO	HUB CAP WHITE	COUVRE-MOYEU BLANC	RADKAPPE WEIßE	NG 504
-	22110263/ 0	4	COPRIMOZZO GIALLO	HUB CAP YELLOW	COUVRE-MOYEU JAUNE	RADKAPPE GELBE	NG 504 TR
-	22110264/ 0	4	COPRIMOZZO ROSSO	HUB CAP RED	COUVRE-MOYEU ROUGE	RADKAPPE ROTE	NG 504 TR-E
49	22483330/ 1	1	PARASASSI	STONE-GUARD	PARE-PIERRES	PRALLBLECH	R 430 / 430 S
50	12791200/ 0	2	VITE	SCREW	VIS	SCHRAUBE	R 480
51	12582100/ 0	2	GROWER	GROWER	GROWER	FEDERRING	R 430 TR
51A	12523040/ 0	2	RONDELLA	WASHER	RONDELLE	SCHEIBE	R 434
52	12292100/ 0	2	DADO	NUT	ECROU	MUTTER	R 484
71	22120152/ 0	1	CRUSCOTTO GIALLO	DASH BOARD YELLOW	CONSOLE JAUNE	KONSOLE GELBE	R 534
-	22120154/ 0	1	CRUSCOTTO ROSSO	DASH BOARD RED	CONSOLE ROUGE	KONSOLE ROTE	R 484 TR / TR-E
-	22120158/ 0	1	CRUSCOTTO NERO	DASH BOARD BLACK	CONSOLE NOIRE	KONSOLE SCHWARZE	R 534 TR / TR-E
72	22943006/ 0	1	VITE	SCREW	VIS	SCHRAUBE	RL 430 / 430 S
73	12728460/ 0	1	VITE	SCREW	VIS	SCHRAUBE	RL 480
75	81007280/ 2	1	LEVA, ACCELERATORE	LEVER, THROTTLE	LEVIER, ACCELERATEUR	HEBEL, BESHLEUNIGER	RL 430 TR
76	12791500/ 0	1	VITE	SCREW	VIS	SCHRAUBE	RL 434
77	12530060/ 0	2	RONDELLA ELASTICA	ELASTIC WASHER	RONDELLE ELASTIQUE	ELASTISCHE SCHEIBE	RL 484
78	12523040/ 0	1	RONDELLA	WASHER	RONDELLE	SCHEIBE	RL 534
79	12154510/ 0	1	DADO	NUT	ECROU	MUTTER	RL 484 TR
80	22981467/ 0	2	PIASTRINA	PLATE	PLAQUETTE	PLATTE	RL 484 TR-E
81	12735105/ 0	1	VITE	SCREW	VIS	SCHRAUBE	RL 534 TR
82	22806612/ 0	1	SUPPORTO	SUPPORT	SUPPORT	HALTER	RL 534 TR-E
83	12728518/ 0	1	VITE	SCREW	VIS	SCHRAUBE	TD 430 / 430 S
84	81007160/ 0	1	CAVO ACCELERATORE	CABLE, TROTTLE	CABLE, ACCELERATEUR	KABE, BESCHLEUNIGER	TD 480
85	81000626/ 0	1	CAVO FRENO MOTORE	CABLE, THREAD MOTOR BRAKE	CABLE FREIN MOTEUR	KABEL, MOTORBREMSE	TD 434
-	81000629/ 1	1	CAVO FRENO MOTORE	CABLE, THREAD MOTOR BRAKE	CABLE FREIN MOTEUR	KABEL, MOTORBREMSE	TD 484
86	14356743/ 0	1	ETICHETTA	LABEL	ETIQUETTE	ETIKETTE	TD 534
102	12523060/ 0	4	RONDELLA	WASHER	RONDELLE	SCHEIBE	TD 484 TR
103	22869650/ 0	4	TUBO PER RUOTA	WHEEL TUBE	TUBÉ POUR ROUE	ROHR FÜR RAD	TD 484 TR-E
104	22172420/ 0	4	DISTANZIALE	SPACER	ENTRETOISE	DISTANZRING	TD 534 TR
105	12583500/ 0	4	GROWER	GROWER	GROWER	FEDERRING	TD 534 TR-E
106	12293200/ 0	4	DADO	NUT	ECROU	MUTTER	TDL 430 / 430 S
-	81008616/ 0	1	DOTAZIONE VITERIA	OUTFIT, SCREWS	DOTATION VISSERIE	SATZ, SCHRAUBEN	TDL 480
-	81008609/ 0	1	DOTAZ. VITERIA CRUSCOTTO	OUTFIT, DASH-BOARD SCREWS	DOTATION VISSERIE CONSOLE	SATZ, KONSOLE SCHRAUBEN	TDL 430 TR
VARIANTE ACCELERATORE - THROTTLE VARIANTS - VARIANTES COMMANDE D'ACCELERATION - ÄNDERUNGEN AUF GASHEBEL							
201	81007080/ 0	1	CAVO ACCELERATORE	CABLE, TROTTLE	CABLE, ACCELERATEUR	KABE, BESCHLEUNIGER	TDL 484 TR
202	81007279/ 1	1	LEVA, ACCELERATORE	LEVER, THROTTLE	LEVIER, ACCELERATEUR	HEBEL, BESHLEUNIGER	TDL 484 TR-E
204	12815000/ 0	1	VITE	SCREW	VIS	SCHRAUBE	TDL 534 TR
205	12508100/ 0	1	RONDELLA ELASTICA	SPRING WASHER	RONDELLE ELASTIQUE	ELASTISCHE SCHEIBE	TDL 534 TR-E
206	12521360/ 0	2	RONDELLA	WASHER	RONDELLE	SCHEIBE	CA 430
207	22171005/ 0	1	DISTANZIALE	SPACER	ENTRETOISE	DISTANZRING	CA 480
208	12581500/ 0	1	GROWER	GROWER	GROWER	FEDERRING	CA 434
209	12291000/ 0	1	DADO	NUT	ECROU	MUTTER	CA 484
210	14356703/ 0	1	ETICHETTA	LABEL	ETIQUETTE	ETIKETTE	CA 534
-	14356702/ 0	1	ETICHETTA	LABEL	ETIQUETTE	ETIKETTE	CA 534
VARIANTE REGIME FISSO - FIXED SPEED VARIANTS - VARIANTES POUR MODÈLE À REGIME FIXE - ÄNDERUNGEN FÜR MMODELLE MIT FIXIERTER DRENZAHL							
251	22601000/ 0		PROTEZIONE	PROTECTION	PROTECTION	SCHUTZ	CA 430 TR
VARIANTI RUOTE Ø 170 SU BOCCOLE - WHEEL Ø 170 VARIANTS ON BUSHES - VARIANTES ROUES Ø 170 SUR DOUILLES - ÄNDERUNGEN AUF RÄDER Ø MIT BÜCHSE							
43	81007326/ 0	4	RUOTA Ø 170	WHEEL Ø 170	ROUE Ø 170	RAD Ø 170	CA 434
44	22034508/ 0	4	BUSSOLA	BUSH	DOUILLE	BUCHSE	CA 484
46	12521350/ 0	4	RONDELLA	WASHER	RONDELLE	SCHEIBE	CA 534
47	12155000/ 0	4	DADO	NUT	ECROU	MUTTER	CA 430 TR
							CA 434 TR
							CA 484 TR / TR-E
							CA 534 TR / TR-E
							T 430 / 430 S
							T 480
							T 434
							T 484
							T 484 TR
							T 484 TR-E
							PAN 504
							PAN 504 TR
							PAN 504 TR-E
							PAN 504 TR-E 3S
							PAN 504 TR 3S
							NP 534
							NP 534 TR
							NP 534 TR-E
							NP 534 TR 3S
							NP 534 TR-E 3S
							S 474 L